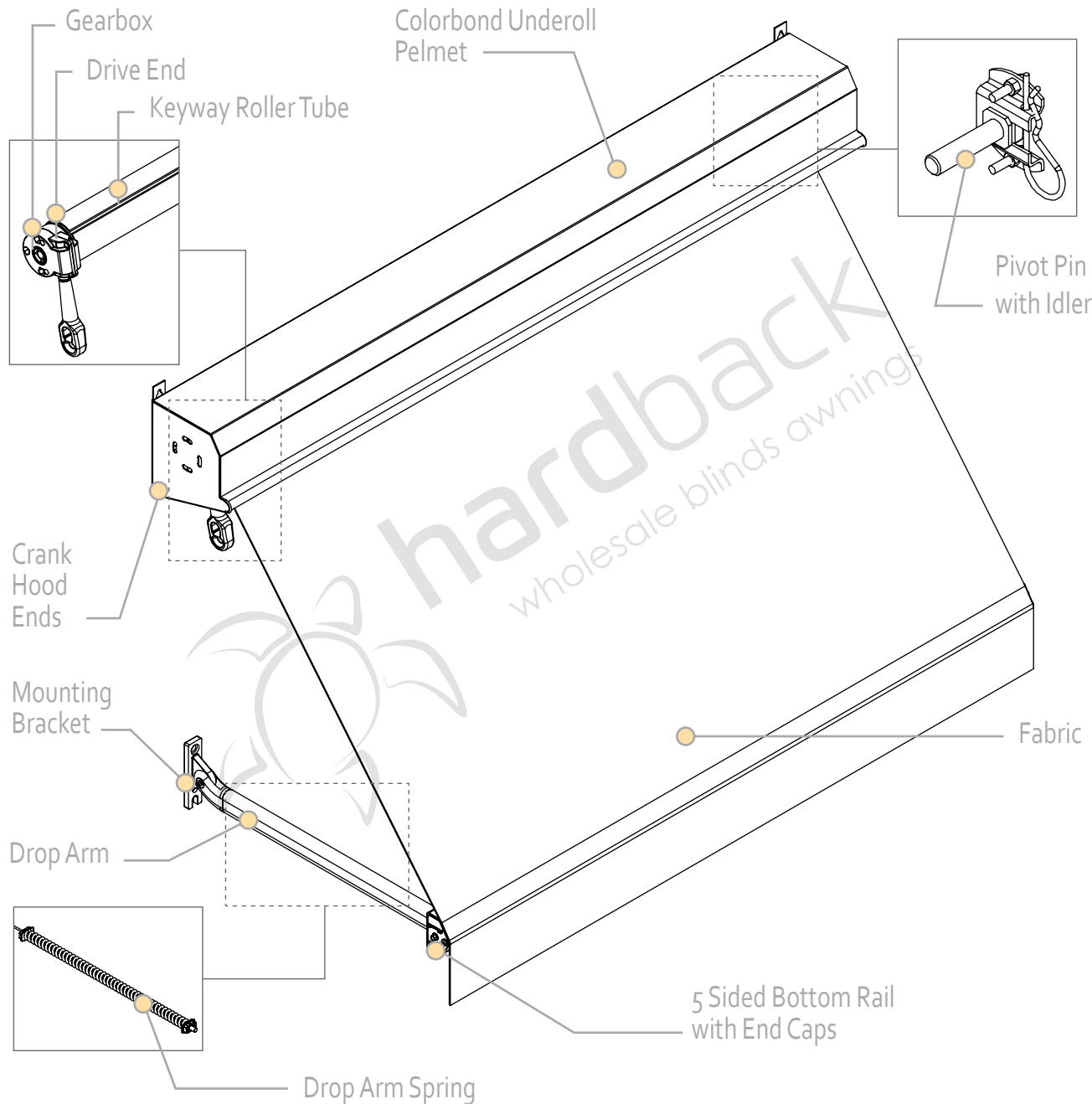


Drop Arm + Variant Specifications

May 2022



Technical Specifications

Operating Options	Crank Operation or Motorised (Remote/Crank Handle) Variant - Crank Only
Sizes (up to)	5.4m x 3.6m
Maximum Recommended Size	15m ²
Application/Mounting	Window or Doorway Face Fit Variant (Adjustable Side Arm)
Pelmet/Fitting Options	Colorbond Pelmet Underroll or Uni Brackets
Bottom Rail	Aluminium Tear Drop Anodised
Optional Powder Coat : Pelmet, Arms & Bottom Rail	Custom
Arm/Guide Options (Zinc or Stainless Steel)	Aluminium Arm Mill Finish 600mm-1500mm Arm Size = half of blind height
Keyway Roller Tube	Up to 3.5m = 63mm, Over 3.5m = 78mm
Fabric Options	Acrylic, Mesh or Canvas
Valance Options	None, Straight or Scalloped
Bottom Finish	Colorbond - Spline Valance - Hem or Binding Mesh only - Welded

