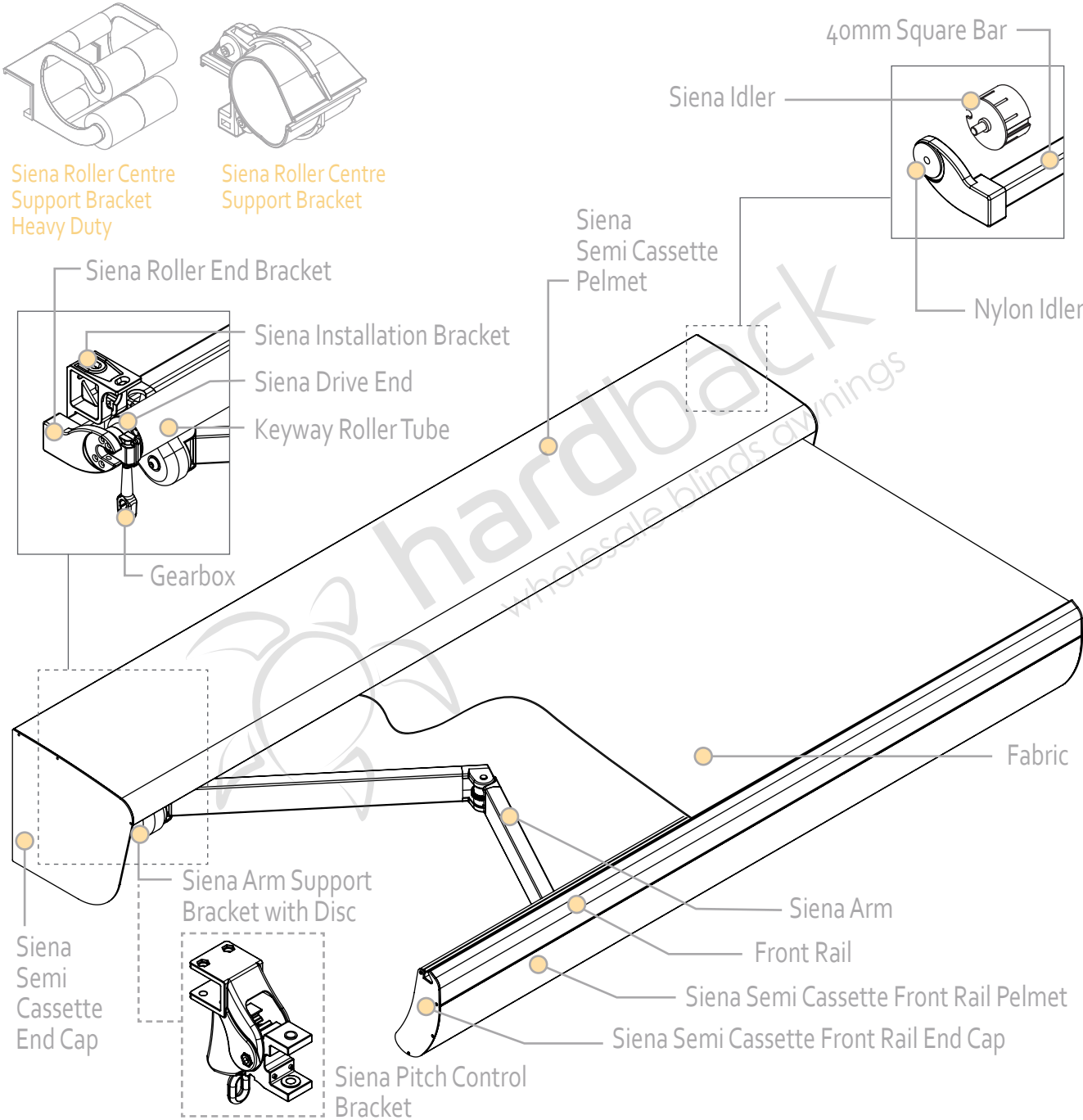


Siena Semi Cassette & Pitch FAA Specifications

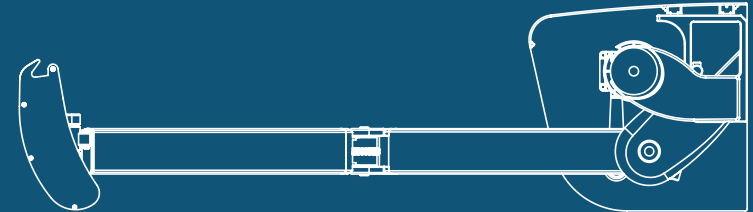
May 2022



Technical Specifications

| | |
|----------------------------|---|
| Operating Options | Motorised or Crank |
| Sizes (up to) | Std: 6m x 4.0m, Pitch: 6m x 3.5m |
| Application/Mounting | Aluminium Extruded Pelmet Included |
| Fitting Options | Face, Fascia, Roof |
| Frame Material | Aluminium/Stainless Steel Hardware |
| Frame Standard Colours | Ivory, Onyx, Silver, White |
| Optional Powder Coat | Custom |
| Keyway Roller Tube | 78mm |
| Standard Arm Pitch | Set by Installer |
| Adjustable Arm Pitch | User adjustable |
| Pelmet Options | Included |
| Pelmet Brackets | No extra brackets required, install brackets suit Aluminum Pelmet |
| Additional Bracket Options | Fascia Brackets: 10, 22 or 30 degrees |
| Fabric Options | Acrylic |

Siena Semi Cassette Standard Side Profile



Siena Pitch and Projection Diagram

(shows available pitch adjustment)

