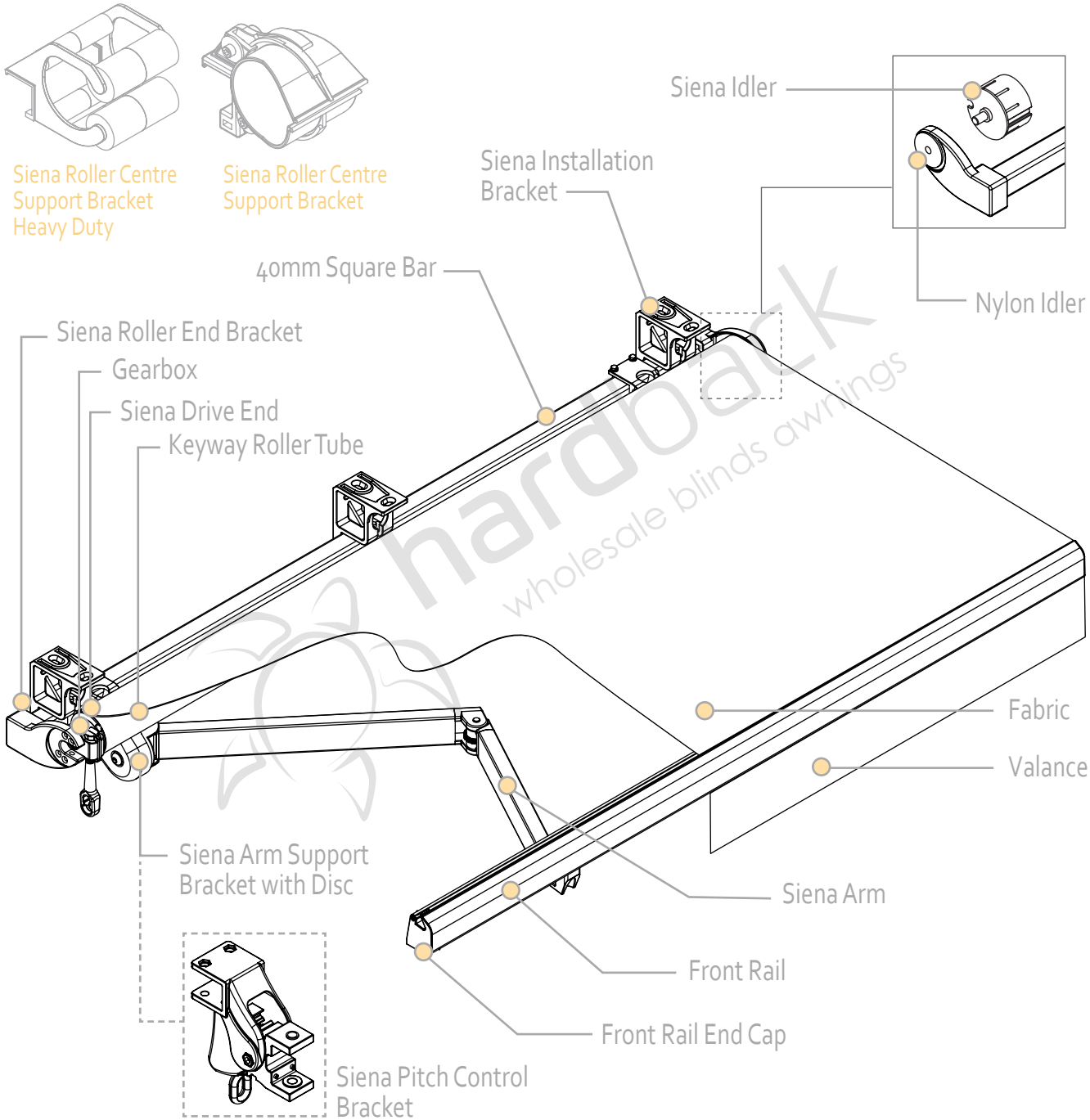


Siena Standard & Siena Pitch FAA Specifications

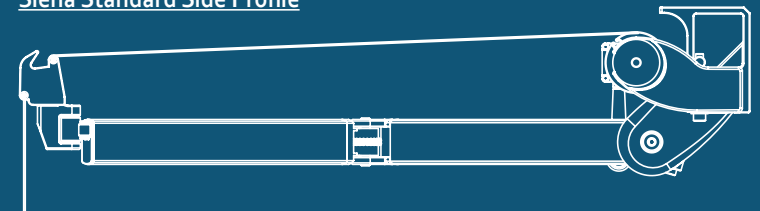
May 2022



Technical Specifications

Operating Options	Motorised or Crank
Sizes (up to)	15m x 3.5m
Application/Mounting	Uni Brackets, Aluminium Extruded or Colorbond Pelmet
Fitting Options	Face, Fascia, Eave, Roof
Frame Material	Aluminium/Stainless Steel Hardware
Frame Standard Colours	Ivory, Onyx, Silver, White
Optional Powder Coat	Custom
Keyway Roller Tube	78mm
Standard Arm Pitch	Set by Installer
Adjustable Arm Pitch	User adjustable
Pelmet Options	Aluminium (Powder Coated) or Colorbond
Pelmet Brackets	Aluminium (no extra brackets required) or Colorbond (Face/Fascia brackets)
Additional Bracket Options	Fascia Brackets: 10, 22 or 30 degrees
Fabric Options	Acrylic
Valance Option	None, Straight or Scalloped

Siena Standard Side Profile



Siena Pitch and Projection Diagram
(shows available pitch adjustment)

