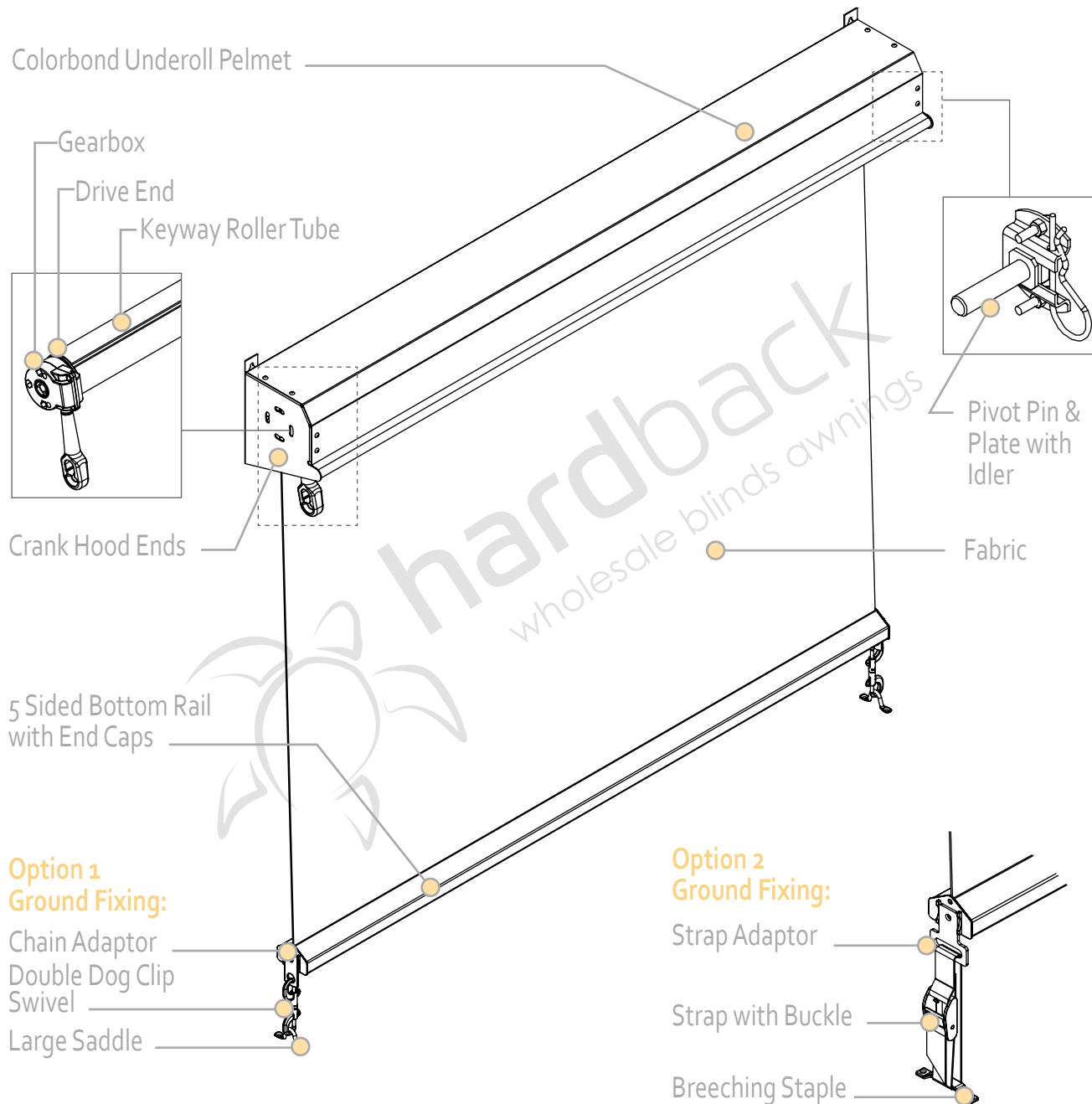


# Straight Drop Crank Op/Motorised Specifications

May 2022



## Technical Specifications

Operating Options	Crank Operation or Motorised (Remote/Crank Handle)
Sizes (up to)	5.4m x 3.6m
Maximum Recommended Size	12m <sup>2</sup>
Application/Mounting	Patio or Pergola Face or Recess Ground Level or Balcony
Pelmet/Fitting Options	Colorbond Pelmet Underroll (Standard), Overroll (Surcharge /Optional Backing) or Uni Brackets
Bottom Rail	Round Pocketed or Colorbond 5 sided, Metal End Caps
Optional Powder Coat : Pelmet & Bottom Rail	Custom
Keyway Roller Tube	Up to 3.6m = 50mm, Over 3.6m = 63mm
Wall or Ground Fixing Options (Zinc or Stainless Steel) * See images below	Option 1: 2x Chain Adaptor, SS Double Dog Clip Swivel + Large Saddle (Path Ring Optional) Option 2: 2x Strap Adaptor, Strap with Buckle + Breeching Staple
Fabric Options	Acrylic, Mesh, Canvas or PVC
Valance Options	None, straight or scalloped
Bottom Finish	Round - Pocket Colorbond - Spline Valance - Hem or Binding Mesh only - Welded

