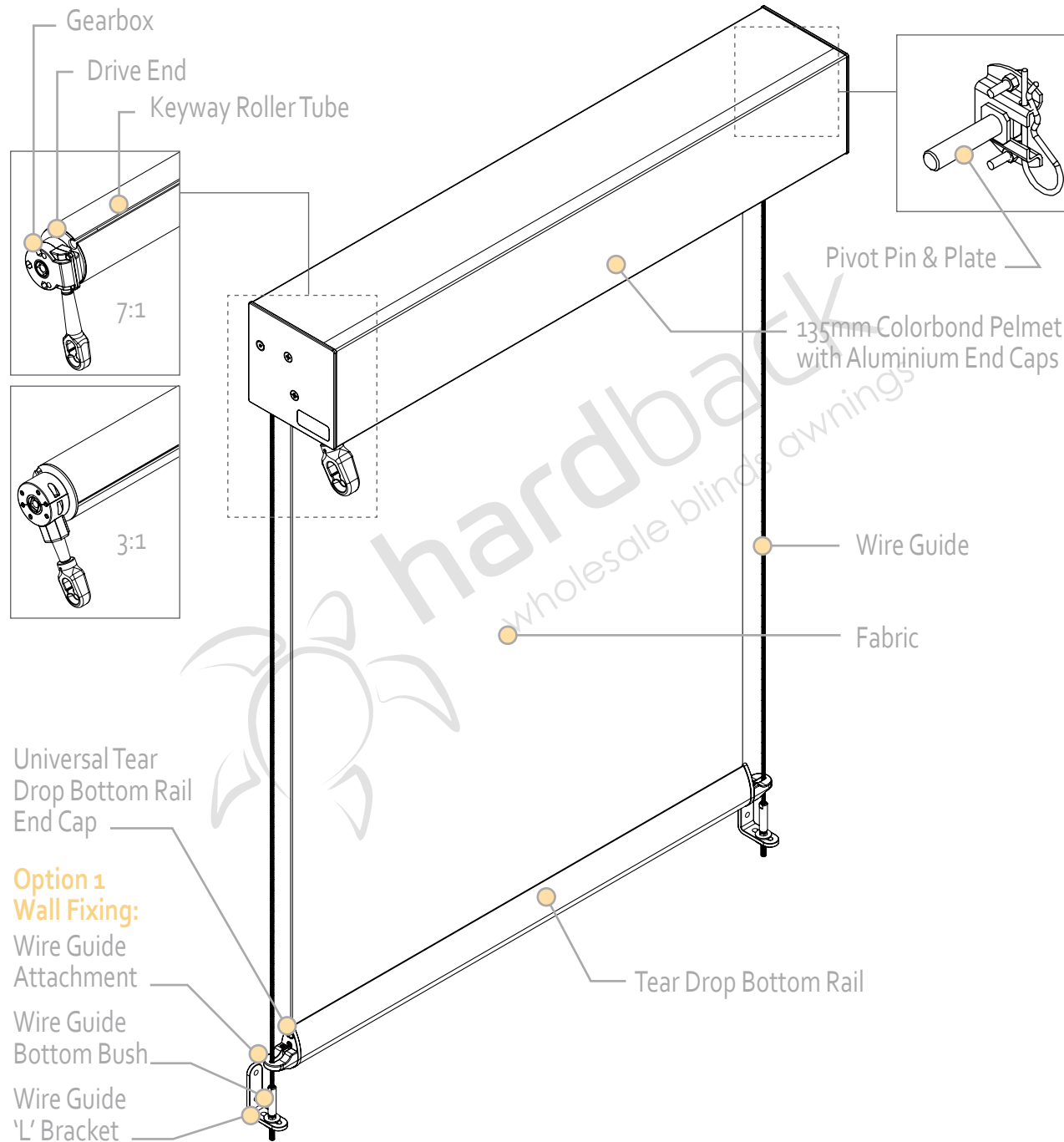


# eShade Wire Guide Specifications

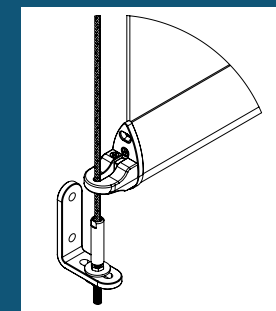
May 2022



## Technical Specifications

Operating Options	Motorised or Crank
Sizes (up to)	5.5m x 3.3m
Maximum Recommended Size	12-15m <sup>2</sup>
Application/Fitting Options	Patio - Face or Recess Window - Face, Recess (Recess out of square) Ground Level or Balcony
Pelmet Options	Colorbond Enclosed Pelmet 135mm
Bottom Rail	Aluminium tear drop powder coated
Standard Colours: Track/Bottom Rail	Black, Classic Cream, Monument, Paperbark, White, Woodland Grey
Optional Powder Coat : Pelmet & Bottom Rail	Custom
Guide Options	Stainless Steel Wire Guides
Keyway Roller Tube	78mm
Gearbox	Gearbox 3:1 (applies to Crank op) available in Black or White. Change to 7:1 Aug 2022. Drive End (Crank) Idler, Pivot Pin and Plate (Crank & Mot)
Wall or Ground Fixing Options (Stainless Steel Standard) See images below	Option 1 - Ground: L Brackets x2 Option 2 - Wall: Deck Plates* x2 (* Surcharge)
Fabric Options	Acrylic, Mesh or Canvas

### Option 1 - Wall



### \*Option 2 - Ground

