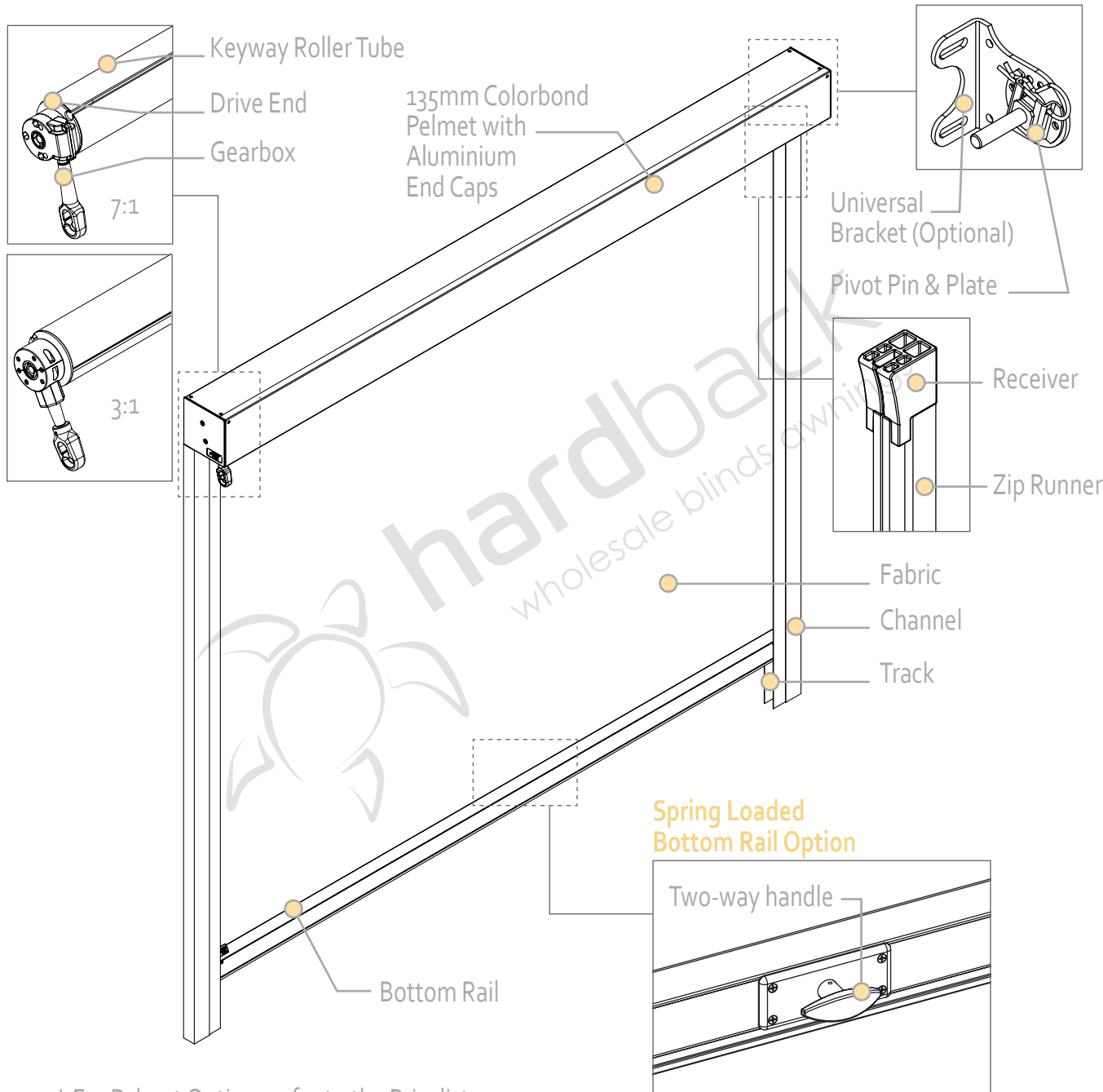


# eZip Specifications

May 2022

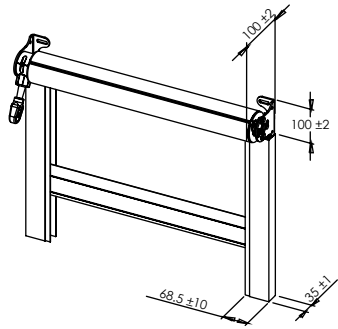


\* For Pelmet Options refer to the Pricelist

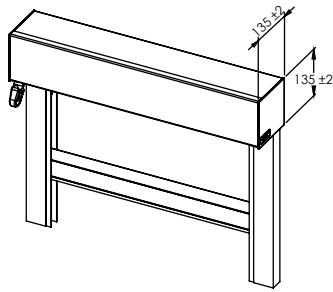
## Technical Specifications

Operating Options	Motorised, Crank or Spring
Sizes (up to)	Mot/Crank = 6m x 3.5m, Spring = 4m x 3m
Maximum Recommended Size	12-15m <sup>2</sup>
Application/Fitting Options	Patio - Face or Recess Window - Face, Recess (Recess out of square) Ground Level or Balcony
Pelmet Options	Colorbond Enclosed Pelmet 135mm Aluminium Enclosed Pelmet 135mm/125mm Universal Brackets x2
Bottom Rail	Aluminium powder coated Uneven gap options available - rubber bumperstrip or weatherflap
Side Track	Aluminium powder coated Channels (outer) x2 Tracks (inner) x2 Zip Runners & Receivers x2
Standard Colours: Track/Bottom Rail/Angle	Black, Black Textura, Classic Cream, Monument, Monument Textura, Paperbark, White, Woodland Grey
Standard Colours: 135mm Colorbond Pelmet/ 135mm Aluminium Pelmet	Black, Classic Cream, Monument, Paperbark, White, Woodland Grey
Optional Powder Coat: Pelmet/Track/Angle/Bottom Rail	Custom Colour
Keyway Roller Tube	Spring = 63mm, Motorised/Crank = 78mm
Gearbox	Gearbox 3:1 (applies to Crank op) available in Black or White. Change to 7:1 Aug 2022. Drive End (Crank) Idler, Pivot Pin and Plate (Crank & Mot)
Fabric Options	Best suited to Mesh 1% or 5% Clear PVC Mesh/PVC Combination Acrylic (certain applications only)

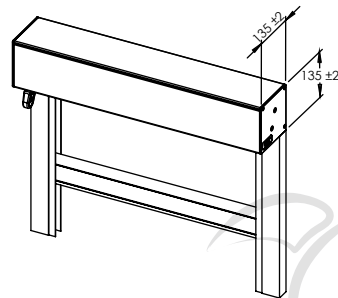
## Pelmet Options



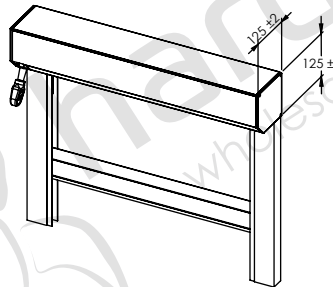
Universal Brackets



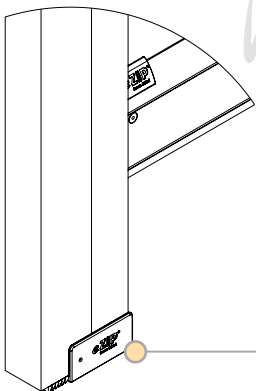
Colorbond Enclosed 135mm



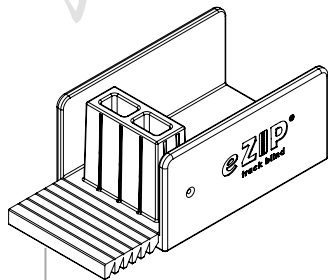
Aluminium Enclosed 135mm



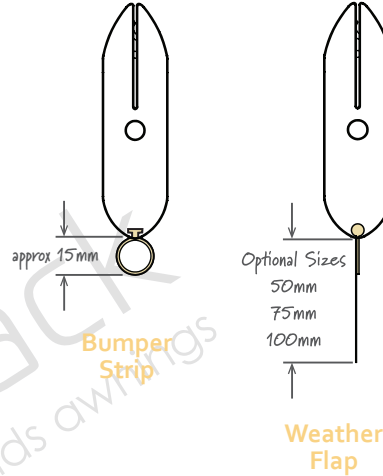
Aluminium Enclosed 125mm



eZip Side Track End Cap



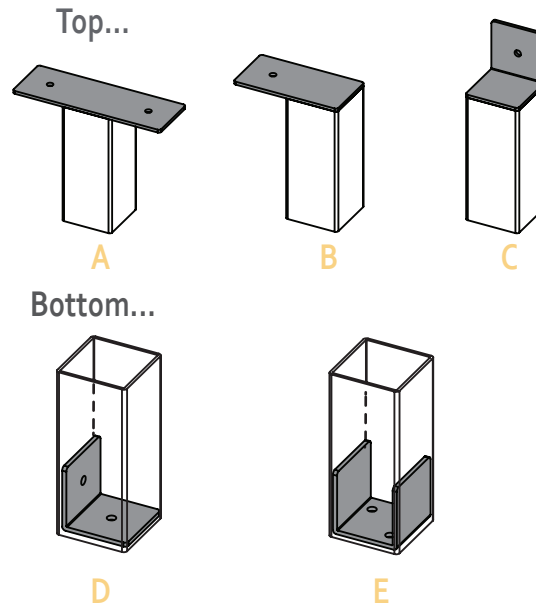
## Bottom Rail Finish Options



Bumper Strip

Weather Flap

## Post Finish Options



Top...

A

B

C

Bottom...

D

E

## FAQs

▪ Mounting Options:  
Universal Brackets or Pelmet

▪ Fitting Options:  
Face angle bracket 40x40x2mm powder coated  
Recess - hard measurements between posts  
Recess out of Square - if top width is smaller, use **Top** measurement for Pelmet **and** OBM\*. If bottom width is smaller use **Top** measurement for Pelmet and **Bottom** width for OBM. \*OBM = Outside Box Measurement

▪ Side Track Details:  
C Channels (outer x2) 55mm x 35mm aluminium, powder coated or mill, require final cut to exact height at installation  
Side Channels (inner x2) 60mm x 32mm aluminium, powder coated or mill, cut with C Channel to exact height at installation  
Zip Runners & Receivers x2 Black ABS  
Receivers x 2 fit into top of Side Channels  
For balustrade installations the Side Track End Cap is optional

▪ Bottom Rail Details:  
Aluminium, powder coated or mill, cut to final width pre-installation with end caps and fabric assembly. Gap options for uneven ground: 15mm bumper strip, or 50mm | 75mm | 100mm fabric weather flap

▪ Roller Details:  
Spring Operation - 63mm Keyway Tube with Spring Assembly  
Motorised Operation - 78mm Keyway Tube with Square Drive/Motor/Idler  
Crank Operation - 78mm Keyway Tube with Square Drive, Gearbox/Idler

▪ Posts (optional):  
Aluminium, powder coated or mill, 50 x 50mm | 100 x 100mm