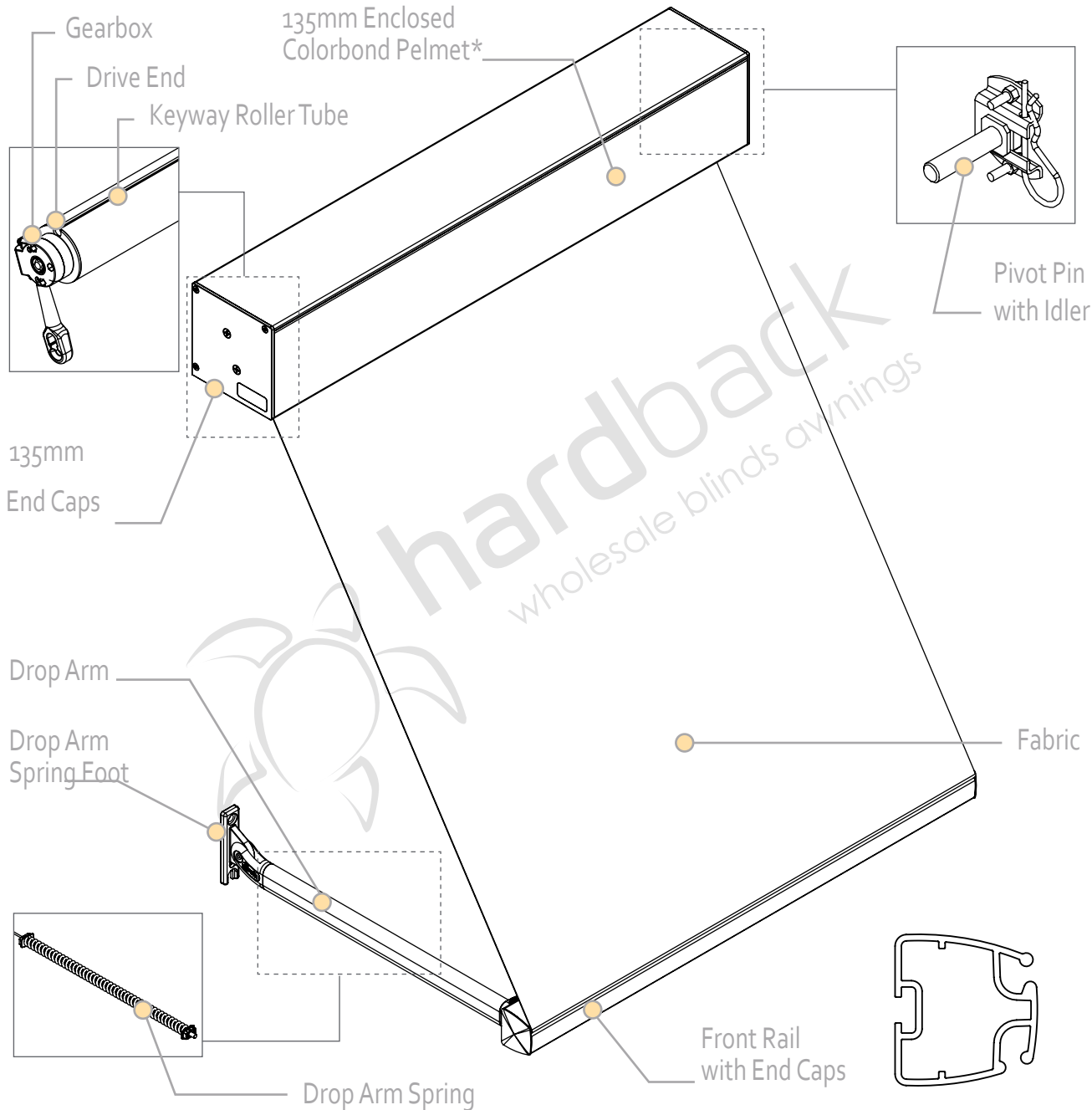


# Solto Drop Arm Specification

June 2022



## Technical Specifications

Operating Options	Crank Operation or Motorised (Remote/Crank Handle)
Sizes (up to)	5.46m W x 1.5m Projection = 3.0m Height (Minimum Width 0.96m)
Maximum Recommended Size	15m <sup>2</sup>
Application/Mounting	Window or Doorway Face Fit
Pelmet/Fitting Options	135mm Enclosed Colorbond Pelmet *Optional upgrade to 135mm Alum Pelmet
Front Rail	Aluminium Anodised
Optional Powder Coat : Pelmet, Arms & Front Rail	Custom
Arm Options	Aluminium Arm 600mm-1500mm Arm Size = half of blind height
Keyway Roller Tube	78mm
Fabric Options	Acrylic, Mesh or Canvas
Separate Valance Options	None, Straight or Scalloped
Bottom Finish	Spline Separate Valance - Hem or Binding Mesh only - Welded

