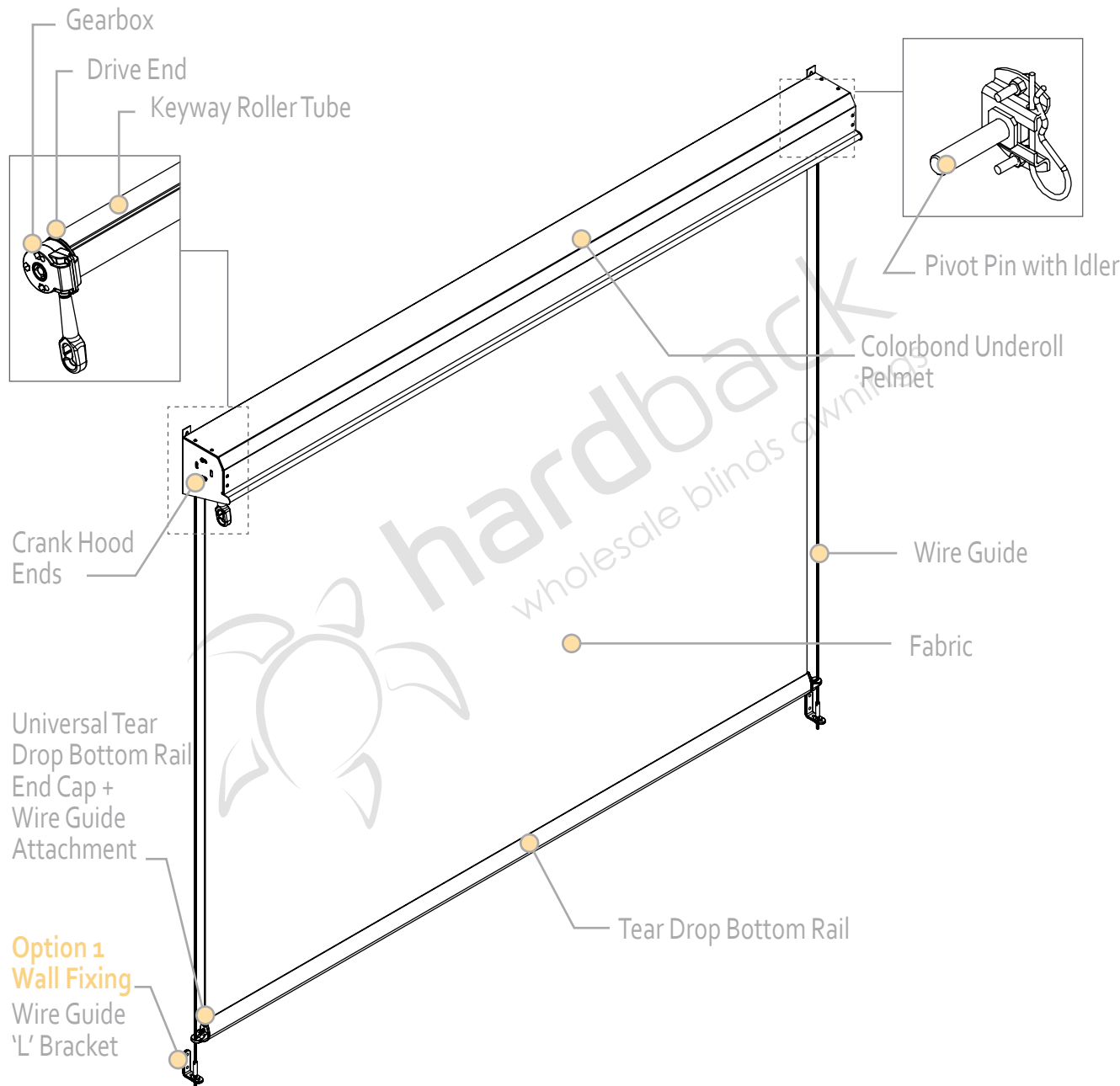


Wire Guide Crank Op/Motorised Specifications

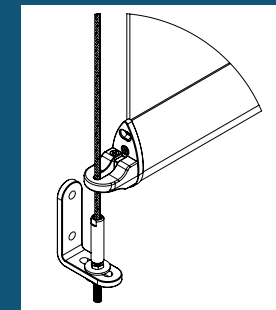
May 2022



Technical Specifications

Operating Options	Crank Operation or Motorised (Remote/Crank Handle)
Sizes (up to)	5.4m x 3.6m
Maximum Recommended Size	12m ²
Application/Mounting	Window or Patio Recess or Face
Pelmet/Fitting Options	Colorbond Pelmet Underroll (Standard), Overroll (Surcharge /Optional Backing) or Uni Brackets
Bottom Rail	Aluminium Tear Drop Anodised
Optional Powder Coat : Pelmet & Bottom Rail	Custom
Wire Options (Zinc or Stainless Steel)	Stainless Steel Wires
Keyway Roller Tube	Up to 3.5m = 63mm, Over 3.5m = 78mm
Wall or Ground Fixing Options (Stainless Steel) * See images below	Option 1 - Wall: 2x L Brackets (Standard) Option 2 - Ground: 2x Deck Plates* (*Surcharge)
Fabric Options	Acrylic, Mesh, Canvas or PVC
Valance Options	Not Available
Bottom Finish	Teardrop - Spline or Pocket

*Option 1 - Wall



*Option 2 - Ground

